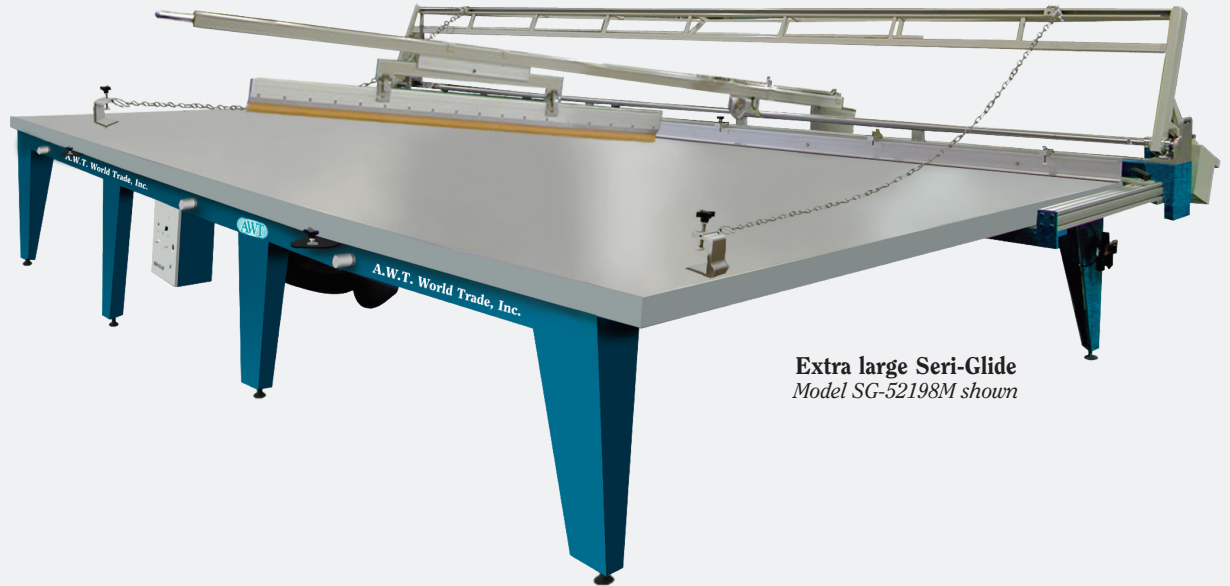
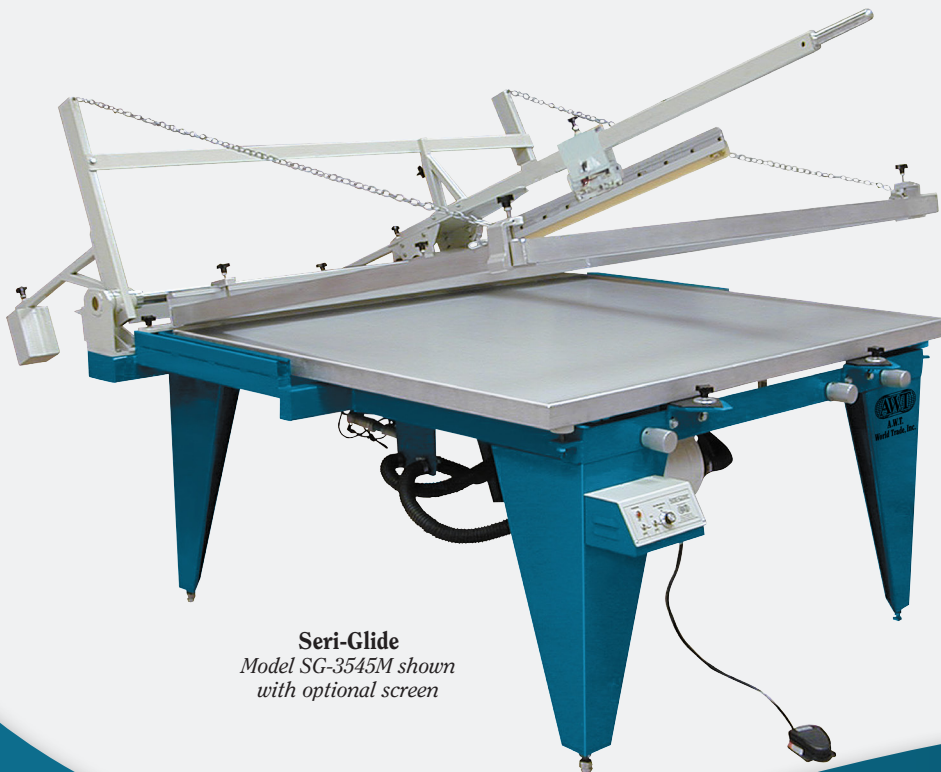


SERI-GLIDE™

One-Man Squeegee Screen Printing Unit



Extra large Seri-Glide
Model SG-52198M shown




Seri-Glide
*Model SG-3545M shown
with optional screen*


*Customized models
available*




 4321 N. Knox Ave., Chicago IL, 60641

 sales@awtworldtrade.com

 www.awt-gpi.com

 773.777.7100

 773.777.0909

SERI-GLIDE™

One-Man Squeegee Screen Printing Unit with all-aluminum vacuum table

ADVANTAGES

- Super-smooth stroke action for consistent results even with large substrates
- Exclusive flatness certification ensures a completely flat printing surface
- Counterbalanced screen holder and squeegee assembly for effortless printing
- Upfront micro-registration controls for precision multi-color printing
- Upfront vacuum and blowback controls for production efficiency
- Quiet, maintenance-free vacuum motor for fast, reliable holddown of substrates
- Fully-adjustable table height for operator comfort and ink control
- Seamless vacuum areas up to 72" wide, any length accommodate large-format jobs

The Seri-Glide™ One-Man Squeegee unit is an economical solution for short-run, high-quality screen printing jobs. Upfront micro-registration controls ensure professional results when printing multi-color images.

An all-aluminum, warp- and rust-resistant vacuum table provides a flatness-certified surface for precision hand printing. Vacuum holddown is powered by AWT's Max-Air™ maintenance-free motor-- the quietest in the industry.

Seri-Glide units feature upfront blowback and vacuum controls. Screen holders and squeegee assembly are individually counterbalanced for easy screen lifting and effortless printing action. Adjustable legs allow the vacuum table surface height to be adjusted for operator comfort and ink control.

Standard Features

- Rear clamp micro-registration
- All-aluminum, flatness-certified, warp- and rust-resistant vacuum table
- Quiet, maintenance-free vacuum motor
- Upfront vacuum and blowback controls

- Adjustable counterbalanced screen holder and squeegee assembly
- Adjustable vacuum table height
- Print areas from 35" x 45" To 100" x 150"

Precise Single- or Multi-Color Printing

Options & Accessories

- Disappearing registration guides - spring loaded
- Squeegee holder handle for squeegee under 25"
- Vacuum blowback electronic foot pedal control with timed blowback, filter, and air regulator
- Upgraded Vacuum Blower System with 2 blower motors for heavy material
- Spare parts package
- Conversion to 50 Hz

Specifications

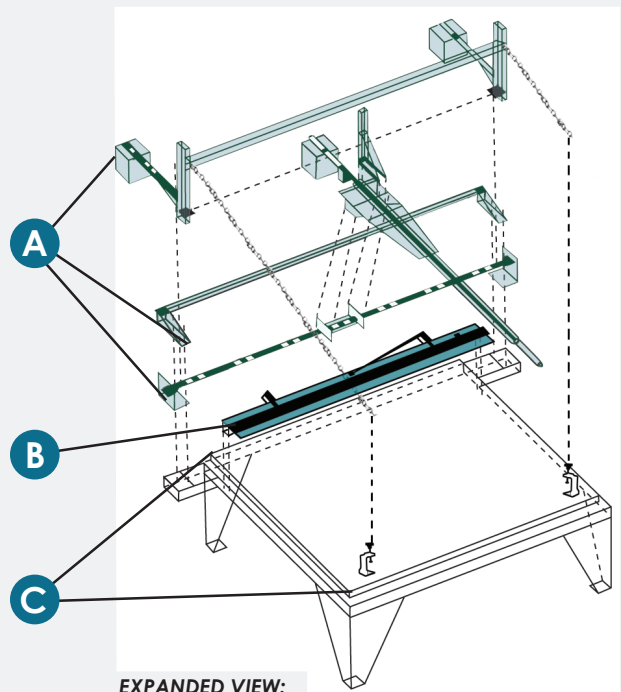
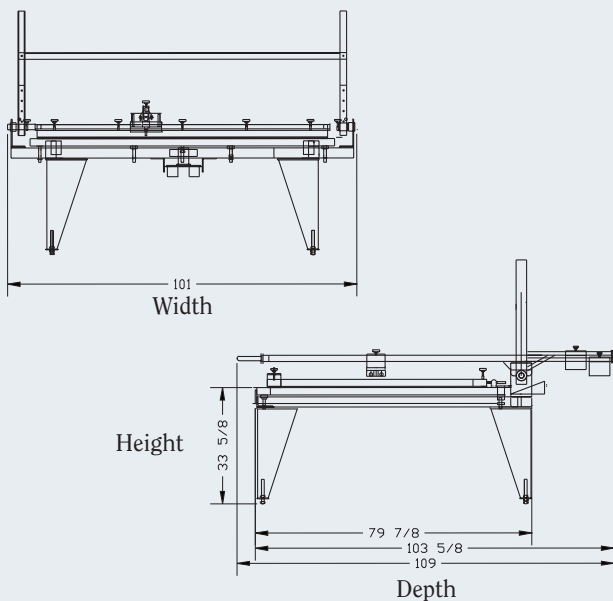
SERI-GLIDE™ WITH UPFRONT REGISTRATION	MAX. PRINT AREA	MAX. FRAME O.D.	MAX. TABLE SIZE	AMPS	DIMENSIONS (D x W x H)
SG-3545M	35 x 45" (89 x 114cm)	52 x 63" (132 x 160cm)	58 x 63" (147 x 160cm)	5	96 x 76 x 34" (243 x 193 x 86cm)
SG-4464M	44 x 64" (112 x 163cm)	68 x 88" (173 x 224cm)	72 x 88" (183 x 224cm)	5	111 x 100 x 34" (282 x 254 x 86 m)
SG-5280M	52 x 80" (132 x 203cm)	75 x 104" (191 x 264cm)	81 x 104" (206 x 264cm)	10	118 x 117 x 34" (298 x 297 x 86cm)
SG-5296M	52 x 96" (132 x 244cm)	68 x 124" (173 x 315cm)	81 x 124" (206 x 315cm)	12	121 x 128 x 34" (307 x 325 x 86 m)
SG-52120M	52 x 120" (132 x 305cm)	68 x 144" (173 x 366cm)	81 x 144" (206 x 366cm)	12	121 x 152 x 34" (307 x 386 x 86cm)
SG-52150M	52 x 150" (132 x 381cm)	68 x 174" (173 x 442cm)	81 x 174" (206 x 442cm)	12	Call for info.
SG-52198M	52 x 198" (132 x 503cm)	68 x 222" (173 x 564cm)	81 x 222" (206 x 564cm)	15	Call for info.
SG-52236M	52 x 236" (132 x 599cm)	68 x 260" (173 x 660cm)	81 x 260" (206 x 660cm)	15	Call for info.
SG-6096M	60 x 96" (152 x 244cm)	75 x 124" (191 x 315cm)	89 x 124" (226 x 315cm)	12	134 x 130 x 70 (340 x 330 x 179cm)
SG-60120M	60 x 120" (152 x 305cm)	75 x 144" (191 x 366cm)	89 x 144" (226 x 366cm)	12	126 x 158 x 34" (320 x 401 x 86cm)
SG-60150M	60 x 150" (152 x 381cm)	75 x 174" (191 x 442cm)	89 x 174" (226 x 442cm)	12	127 x 182 x 34" (323 x 462 x 86cm)
SG-60198M	60 x 198" (152 x 503cm)	75 x 222" (191 x 564cm)	89 x 222" (226 x 564cm)	15	Call for info.
SG-60236M	60 x 236" (152 x 599cm)	75 x 260" (191 x 660cm)	89 x 260" (226 x 660cm)	15	Call for info.
SG-72120M	72 x 120" (183 x 305cm)	93 x 144" (236 x 366cm)	99 x 144" (251 x 366cm)	12.4	140 x 152 x 71" (356 x 386 x 180cm)
SG-72150M	72 x 150" (183 x 381cm)	93 x 170" (236 x 432cm)	99 x 170" (251 x 432cm)	12	144 x 182 x 34" (366 x 462 x 86cm)
SG-72198M	72 x 198" (183 x 503cm)	93 x 222" (236 x 564cm)	99 x 222" (251 x 564cm)	15	Call for info.
SG-72236M	72 x 236" (183 x 599cm)	93 x 260" (236 x 660cm)	99 x 260" (251 x 660cm)	15	Call for info.
SG-86198M	86 x 198" (218 x 503cm)	110 x 222" (279 x 564cm)	115 x 222" (292 x 564cm)	15	158 x 234 x 34" (401 x 594 x 86cm)
SG-100150M	100 x 150" (254 x 381cm)	124 x 170" (315 x 432cm)	129 x 170" (328 x 432cm)	15	Call for info.

SERI-GLIDE™

One-Man Squeegee Screen Printing Unit

CAT. NO. COMPONENTS A	CAT. NO. PARTS B	CAT. NO. TABLES C	MAX. PRINT AREA	TABLE O.D. (D x W)
SGP-3545	SHC-3545	SGVT-3545	35 x 45" (89 x 114cm)	58 x 63" (147 x 160cm)
SGP-4464	SHC-4464	SGVT-4464	44 x 64" (112 x 163cm)	72 x 88" (183 x 224cm)
SGP-5280	SHC-5280	SGVT-5280	52 x 80" (132 x 203cm)	81 x 104" (206 x 264cm)
SGP-5296	SHC-5296	SGVT-5296	52 x 96" (132 x 244cm)	81 x 124" (206 x 315cm)
SGP-52120	SHC-52120	SGVT-52120	52 x 120" (132 x 305cm)	81 x 144" (206 x 366cm)
SGP-52150	SHC-52150	SGVT-52150	52 x 150" (132 x 381cm)	81 x 174" (206 x 442cm)
SGP-52198	SHC-52198	SGVT-52198	52 x 198" (132 x 503cm)	81 x 222" (206 x 564cm)
SGP-52236	SHC-52236	SGVT-52236	52 x 236" (132 x 599cm)	81 x 260" (206 x 660cm)
SGP-6096	SHC-6096	SGVT-6096	60 x 96" (152 x 244cm)	89 x 124" (226 x 315cm)
SGP-60120	SHC-60120	SGVT-60120	60 x 120" (152 x 305cm)	89 x 144" (226 x 366cm)
SGP-60150	SHC-60150	SGVT-60150	60 x 150" (152 x 381cm)	89 x 174" (226 x 442cm)
SGP-60198	SHC-60198	SGVT-60198	60 x 198" (152 x 503cm)	89 x 222" (226 x 564cm)
SGP-60236	SHC-60236	SGVT-60236	60 x 236" (152 x 599cm)	89 x 260" (226 x 660cm)
SGP-72120	SHC-72120	SGVT-72120	72 x 120" (183 x 305cm)	99 x 144" (251 x 366cm)
SGP-72150	SHC-72150	SGVT-72150	72 x 150" (183 x 381cm)	99 x 170" (251 x 432cm)
SGP-72198	SHC-72198	SGVT-72198	72 x 198" (183 x 503cm)	99 x 222" (251 x 564cm)
SGP-72236	SHC-72236	SGVT-72236	72 x 236" (183 x 599cm)	99 x 260" (251 x 660cm)
SGP-86198	SHC-86198	SGVT-86198	86 x 198" (218 x 503cm)	115 x 222" (292 x 564 m)
SGP-100150	SHC-100150	SGVT-100150	100 x 150" (254 x 381cm)	129 x 170" (328 x 432cm)

Sample Dimensions from the SG-4464M



EXPANDED VIEW:

(A) - Top Section Components

(B) - Micro-Registration Clamping Unit

(C) - Aluminum Vacuum Table with Legs and Vacuum System only