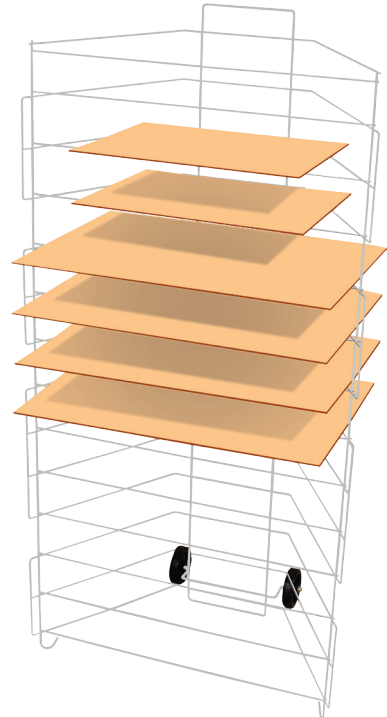


VERSA-RACK™

*Moving Ahead
with Technology*

The Lightweight Drying and Storage Solution

**NEW! Our Lightest
& Most Versatile
Rack Series Yet**



ADVANTAGES

- Lightweight and portable
- Sturdy all-metal construction ensures years of useful life
- Handles rigid or semirigid objects up to 12 x 18" (30.5 x 45.7 cm) or larger
- Designed for vertical or horizontal placement to handle all storage or drying needs
- Available in table model or floor model with casters for easy mobility
- Ideal for office, shop, studio, classroom or home use

The new Versa-Rack™ has hundreds of uses for drying or storing rigid or semi-rigid objects. Use it at the shop or office, classroom or home.

The tabletop model features eight shelves capable of holding objects up to about 12x18" (30x35 cm) or larger with a 3" clearance. The floor model features 13 shelves plus convenient casters that permit easy tilt-and-wheel mobility for effortless positioning.

The Versa-Rack is ideal for storing or drying items such as screen print frames, stretched canvasses, canvas boards, cardboard, heavy felt, construction paper, poster board and much, much more.

The Versa-Rack is specially designed so you can set it on a table or floor in any position to accommodate your needs.



A.W.T. World Trade Inc.
A Division of The A.W.T. World Trade Group

4321 N. Knox Avenue • Chicago, IL 60641 USA

773.777.7100 • Fax: 773.777.0909

sales@awt-gpi.com • www.awt-gpi.com

Versa-Rack™ Drying and Storage Rack

The Ideal Lightweight Solution for Hundreds of Applications

Specifications

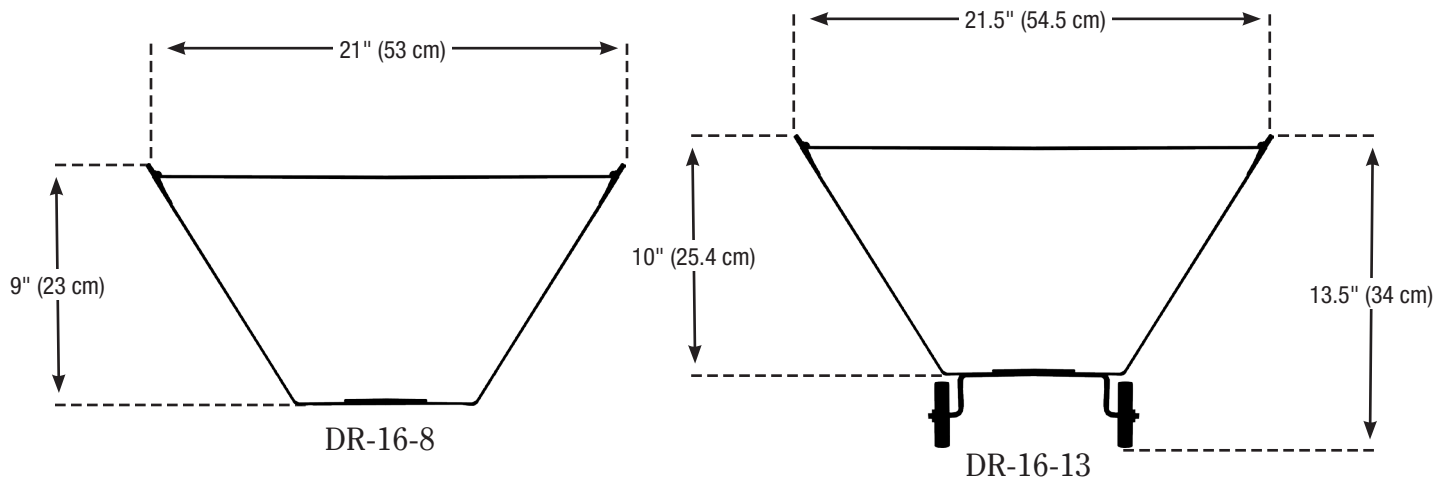
CAT. NO.	DESCRIPTION	SHELVES	SHELF CAPACITY	SHIPPING SIZE	SHIPPING WT.
DR-16-8	Light weight drying-storage rack with 3" (7.5 cm) spacing between shelves (tabletop model)	8	Approximately 12x18" (30.5 x 45.7 cm)*	22 x 10 x 27.25" (55.8 x 25.4 x 70 cm)	7 lbs.
DR-16-13	Lightweight drying-storage rack with 3" (7.5 cm) spacing between shelves; also includes two casters for easy mobility (floor model)	13	Approximately 12x18" (30.5 x 45.7 cm)*	22 x 14 x 44.5" (55.8 x 35.5 x 113 cm)	9 lbs.

* Racks may accommodate larger objects, depending on size, shape and weight

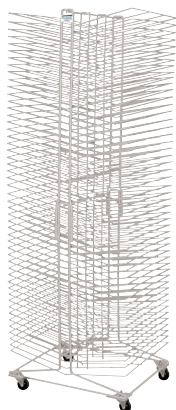
Dimensions

CAT. NO.	DESCRIPTION	HEIGHT	SHELF OPENING WIDTH
DR-16-8	Tabletop model	26" (66 cm)	19.625" (50 cm)
DR-16-13	Floor model	43" (109 cm)	20.25" (51.5 cm)

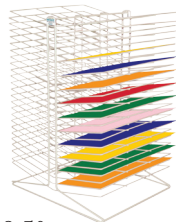
Outside Dimensions



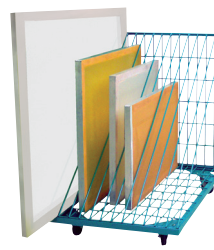
For storing or drying larger items we have a broad selection of racks sure to fit any need



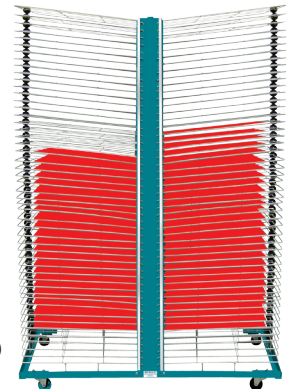
DR-18-50



RSR31
RSR40



DR-24-100



These are just a few of the more than 60 models available



A.W.T. World Trade Inc.
A Division of The A.W.T. World Trade Group

4321 N. Knox Avenue • Chicago, IL 60641 USA

773.777.7100 • Fax: 773.777.0909

sales@awt-gpi.com • www.awt-gpi.com